



# HIRO Garden 1.3

Made in Japan

suicide door model



Thank you very much for purchasing Hiro Garden Light. Please read this manual before and during the assembly of the Hiro Garden Light, and keep it in a safe place after completion.

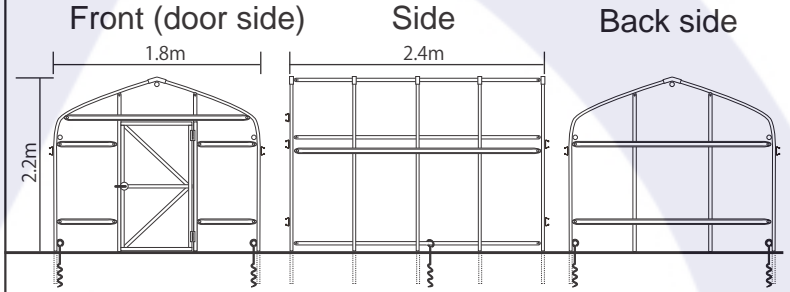
**\* Assembly work must be done by 2 or more people.**



Click here for the Video of assembly



**Finished Plan** This house has a frontage of 1.8 m and a depth of 2.4 m. Level the ground on which it will be installed.



General Procedure

- 1 Drill hole at the location where steel pipe is to be inserted.
- 2 Insert steel pipe, and assemble arched pipe.
- 3 Assemble straight steel pipe and film fixing slot at deep position.
- 4 Assemble the front (install the door) and the back.
- 5 Attach film in order from side to roof.

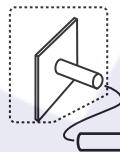
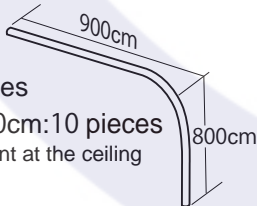
**Parts Schedule (Steel Pipe)**

- 1 Arched vertical pipes  $\phi 22 \times 1,530\text{cm}$  : 10 pieces
- 2 Gable side vertical pipes  $\phi 19 \times 1,330\text{cm}$  : 4 pieces
- 3 Gable side vertical pipes  $\phi 19 \times 1,090\text{cm}$  : 4 pieces
- 4 Depth swedge pipes  $\phi 19 \times 1,250\text{cm}$  : 5 pieces
- 5 Depth pipes  $\phi 19 \times 1,185\text{cm}$  : 5 pieces

(VINEPET EX)

- 6 Gable side horizontal beam 1,775cm:3 pieces
- 7 Gable side front horizontal beam 445cm:4 pieces(for door)
- 8 For depth 1,880cm : 2 pieces
- 9 For depth 488cm : 2 pieces
- 10 For gable side vertical pipe attachment 1,800cm: 1 piece

- 11 Arch pipes  $\phi 22 \times 1,700\text{cm}$ :10 pieces  
 ※There is paint at the ceiling edge.



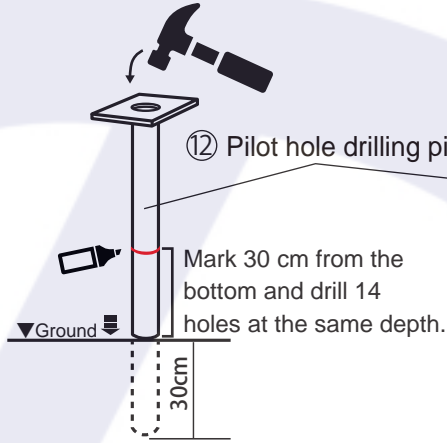
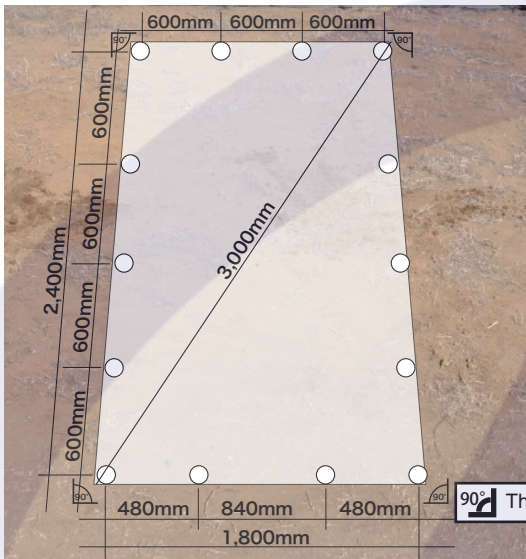
← This part prevents the pipe from deforming.  
 Packaged with 16.

- 12 Pilot hole drilling pipe  $\phi 25 \times 900$  : 1 piece

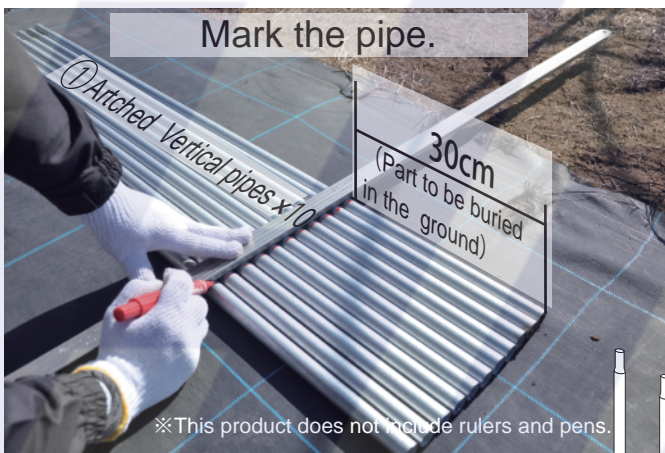
13 OUTER JOINT	14 PARALLEL PIPE JOINT $\phi 19$ 用	15 KACHIX $\phi 22 \times 19$ : 6	16 Pipe Outer Joint For $\phi 22$ 5	17 Universal Joint $\phi 25$ : 2 $\phi 22$ : 26 $\phi 19$ : 4	18 Pipe Band $\phi 19 \times \phi 22$ 用 : 6	19 Coating Pipe Band $\phi 19 \times \phi 25$ : 3
20 HIRO Pipe Joint $\phi 22 \times 6$ $\phi 19 \times 6$	21 Pipe Joint $\phi 19$ 4	22 Coating Spring 2m 15	23 Screw Pile 2	24 Polyolefin Film (1)For Roof 270 × 240:1 (3-D Processed) (2)For side 185 × 8m:1 (3)For door 100 × 200:1 Film is a consumable item. Approximately 2 years, if damaged, please replace it.		

# 1 Drill a pilot hole in the ground and build a pipe.

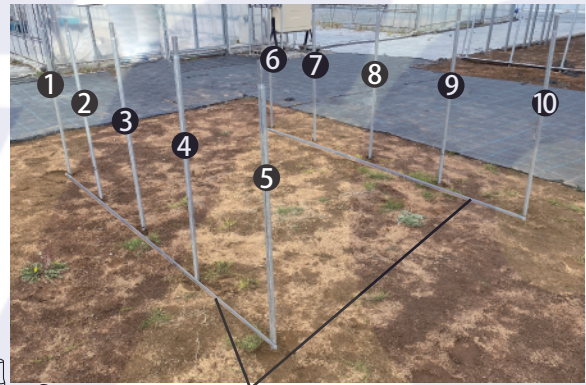
※ This product does not include a hammer.



90° The corners must be right angles!

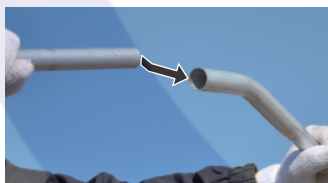
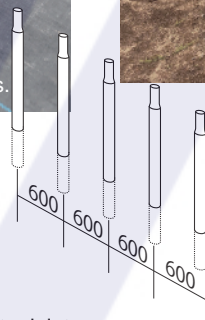


## Erect arch vertical pipes.



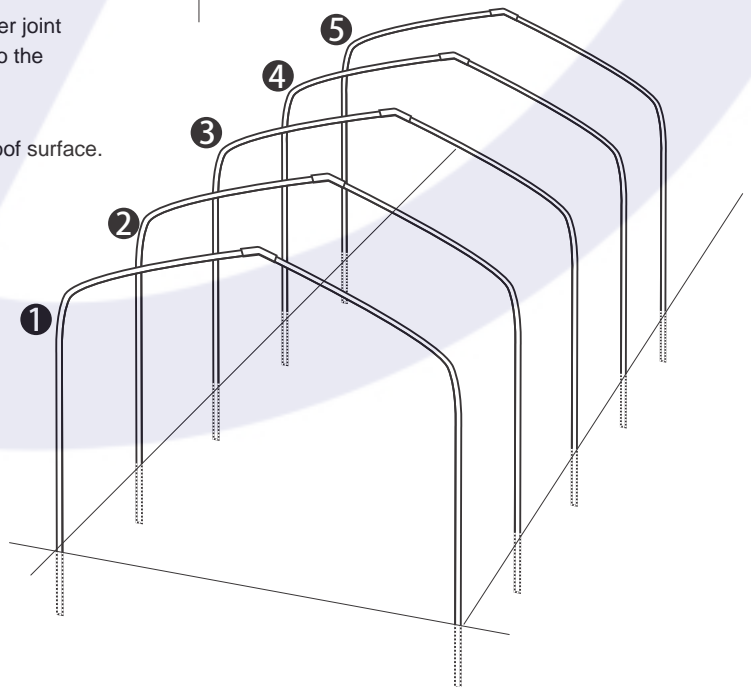
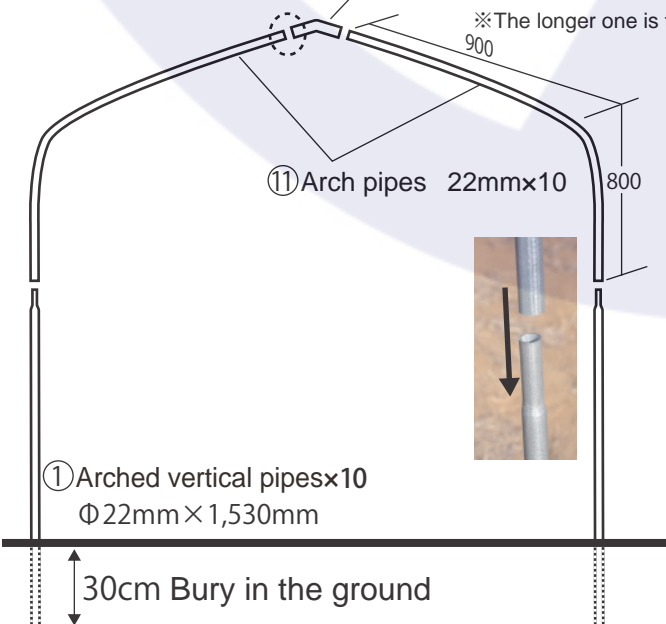
④+⑤ Place the depth pipes. Stand straight and evenly spaced.

# 2 Assemble the arch pipes.



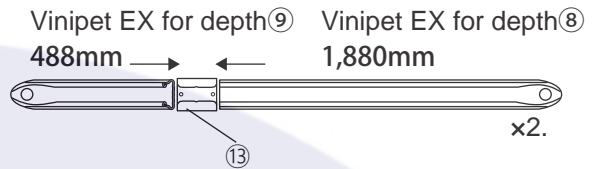
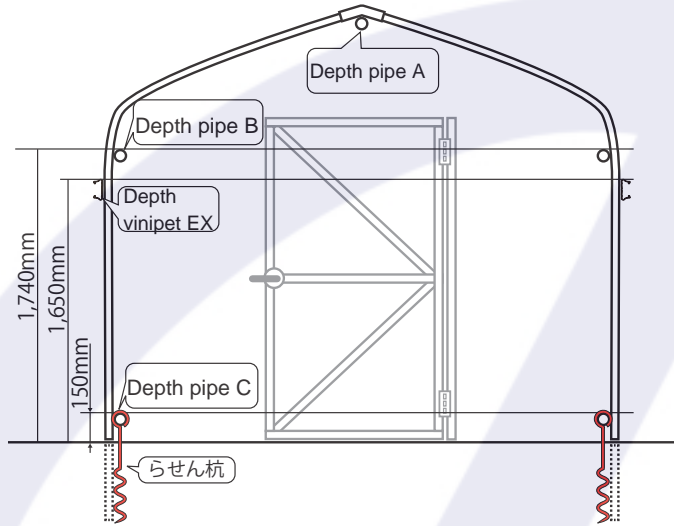
⑯ Pipe Outer Joint x5  
Connect it with a pipe outer joint first, and then connect it to the arch vertical pipe.

※ The longer one is the roof surface.

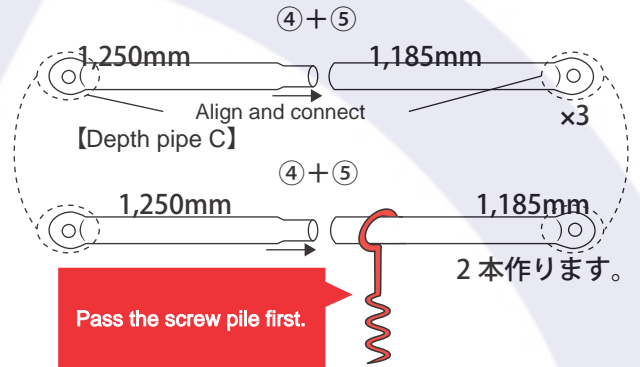


Assemble five arch pipes.

### 3 Install the depth pipe and the Vinipet EX.

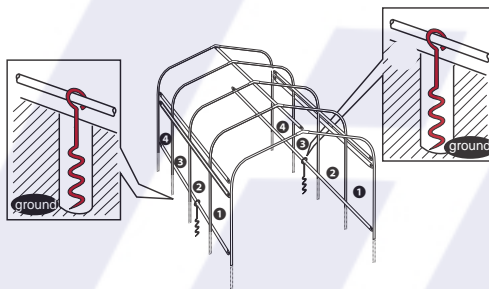


【Depth pipe A and B.】

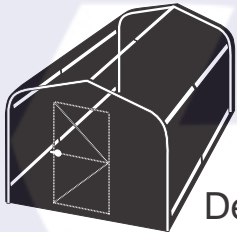
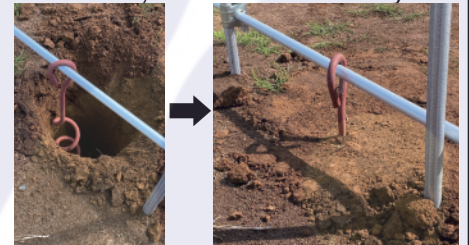


Screw piles are buried when installing under the depth pipe.

⑬ Screw pile



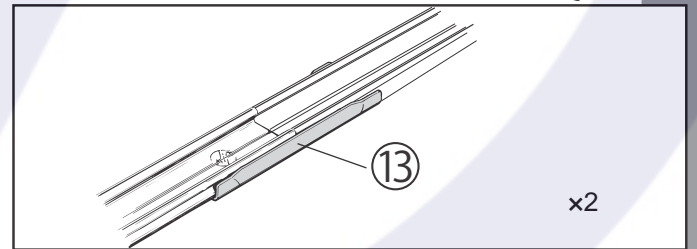
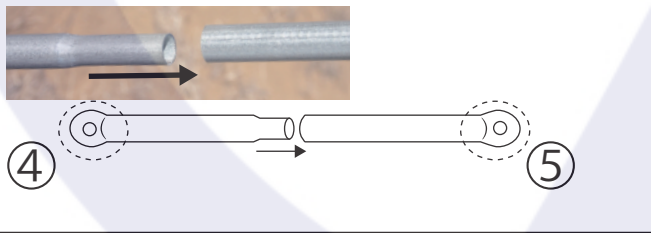
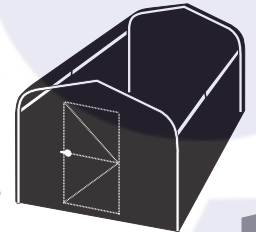
Dig a hole about 50 cm deep in the ground, set up a spiral stake, fill it with water, and harden it firmly.



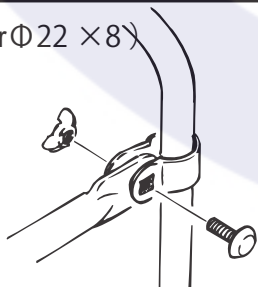
Depth pipe

Attaches to the arch pipe

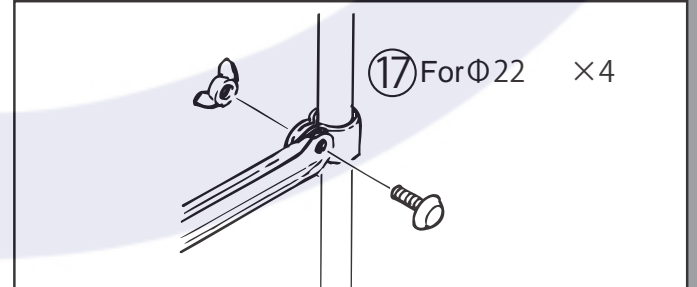
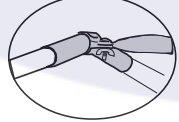
Film fixing depth vinipet EX.



⑰ (for  $\Phi 22 \times 8$ )

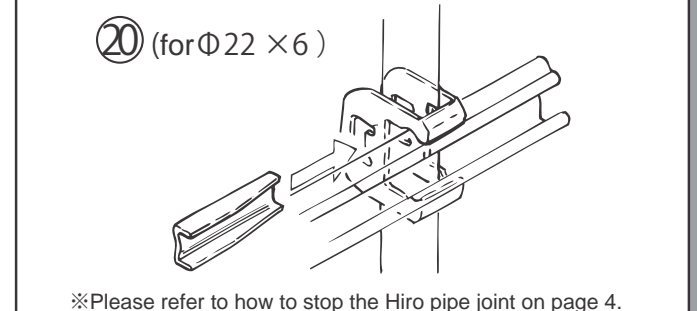
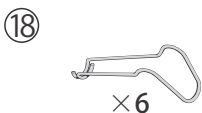


Only the size of the universal on the depth pipe is different. (for  $\Phi 25 \times 2$ )



⑮  $\Phi 22 \times 19 \times 6$

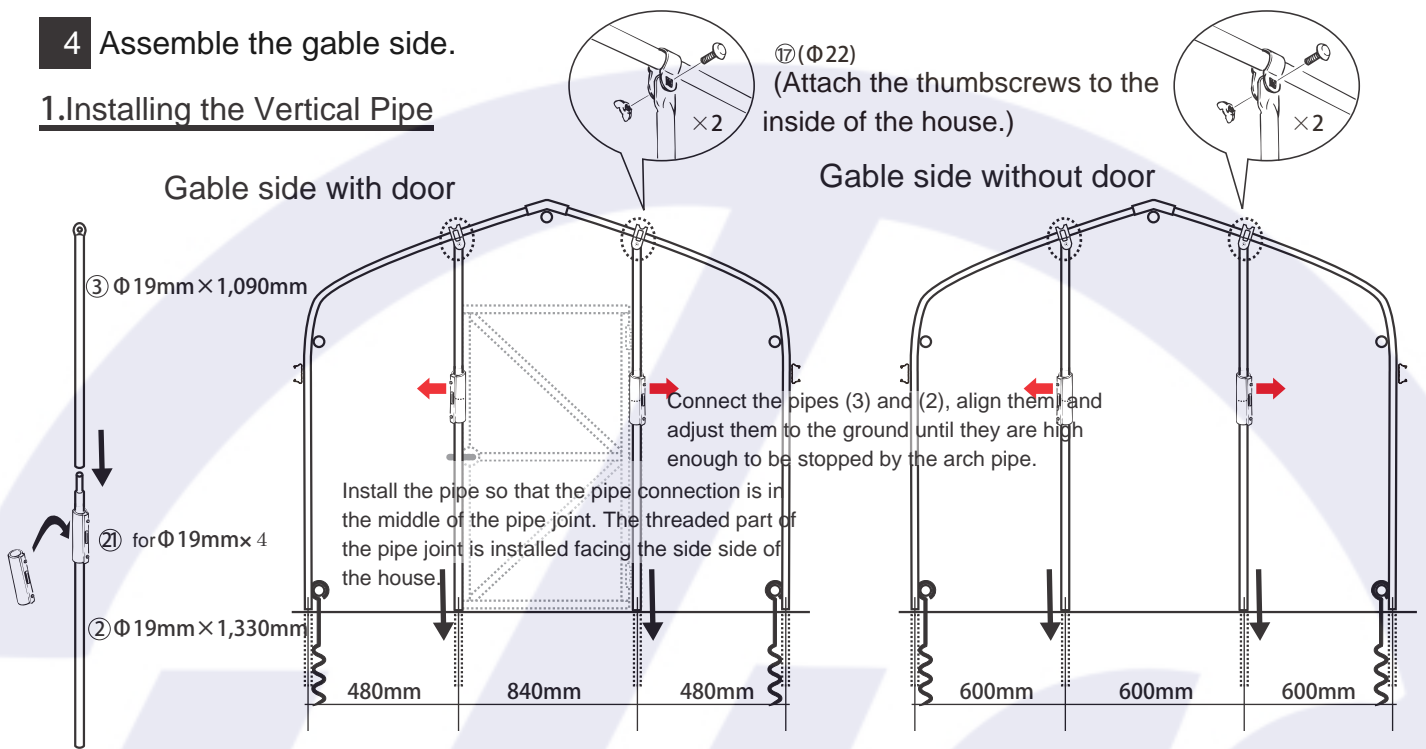
※The wedge is inside the house.



※Please refer to how to stop the Hiro pipe joint on page 4.

## 4 Assemble the gable side.

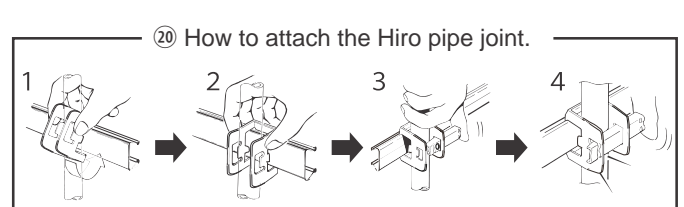
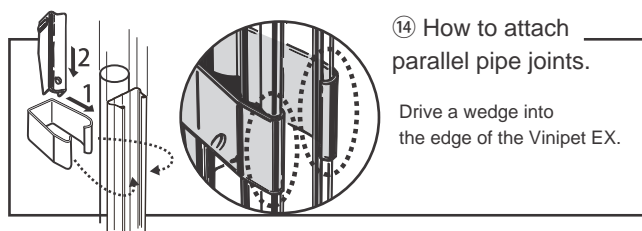
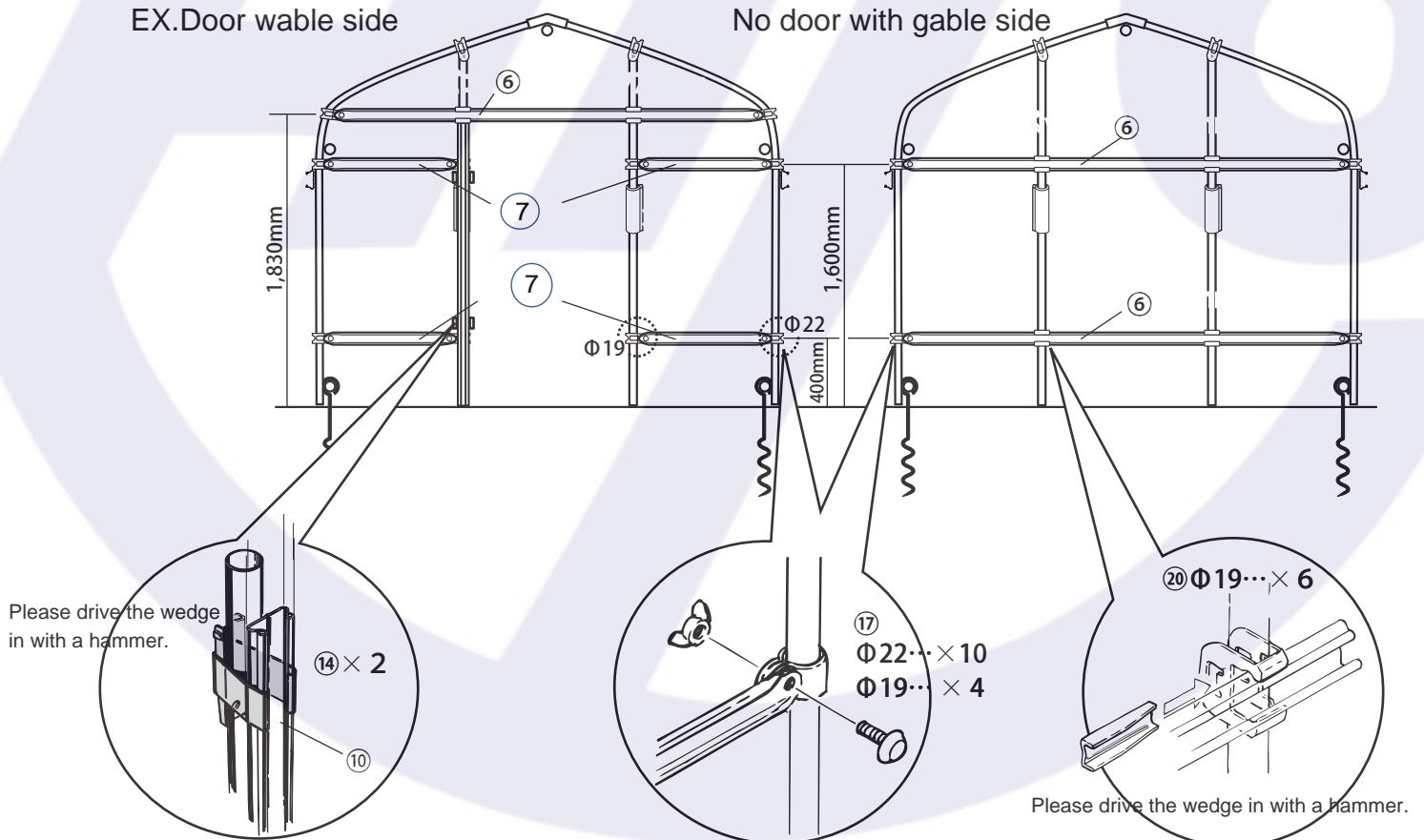
### 1. Installing the Vertical Pipe



### 2. Assemble the Vinipet

#### EX. Door wable side

#### No door with gable side






**3. Install the suicide door.** \* The suicide door can be opened either to the right or to the left.

《How to Assemble a Door》

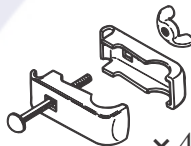
Check the parts in the plastic bag.

Door assembly bolts and nuts



M6  

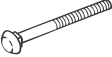
M6 




× 12



 × 4

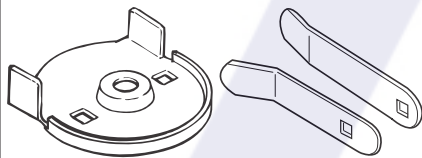
Door handle parts

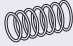
M6  


M8 

M8   

M8  



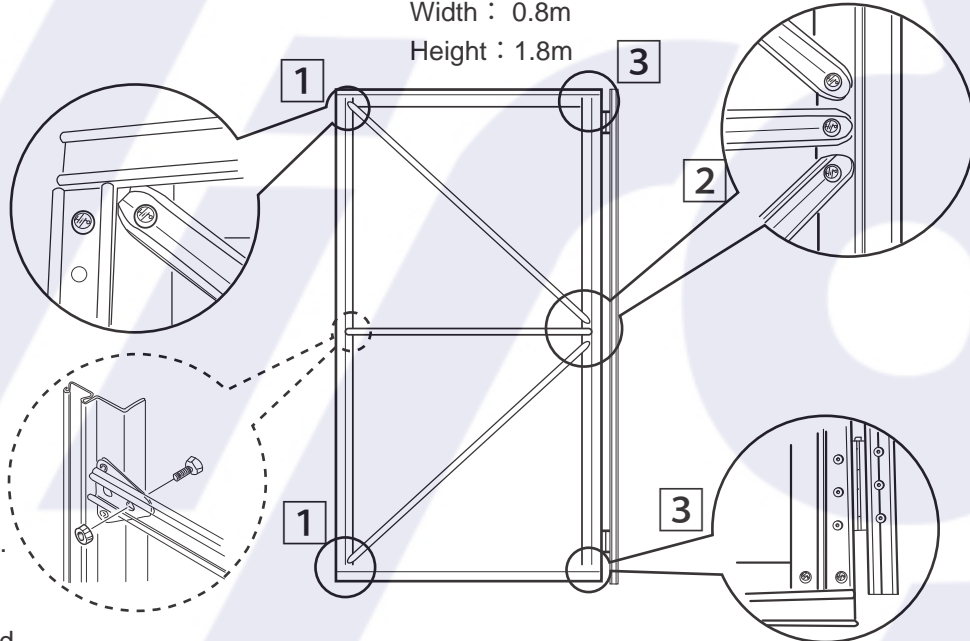




**How to assemble the door**

Assemble the door with M6 root angle bolts and M6 nuts as shown in Figures 1, 2, and 3 on the right. Please refer to the figure in the bold dotted frame for the handle attachment part.

Width : 0.8m  
Height : 1.8m



1

2

3

1

3

**Important**

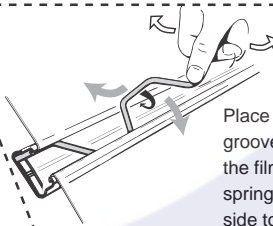
The part where the handle is attached is fixed with an M6 nut through a hexagon bolt from the side that becomes the inside of the house.

Note: The handle is attached to the door frame after the film is unfolded.



**②4-(3)100×200 Film for door.**

※There is a front and a back to the film. Extend the text of the film so that you can read it from the outside of the house. Fix the film with a coating spring, leaving about 30 cm of film on the hinge side, and cut off the other 3 sides to align with the edges of the frame.



**How to fix the film.**

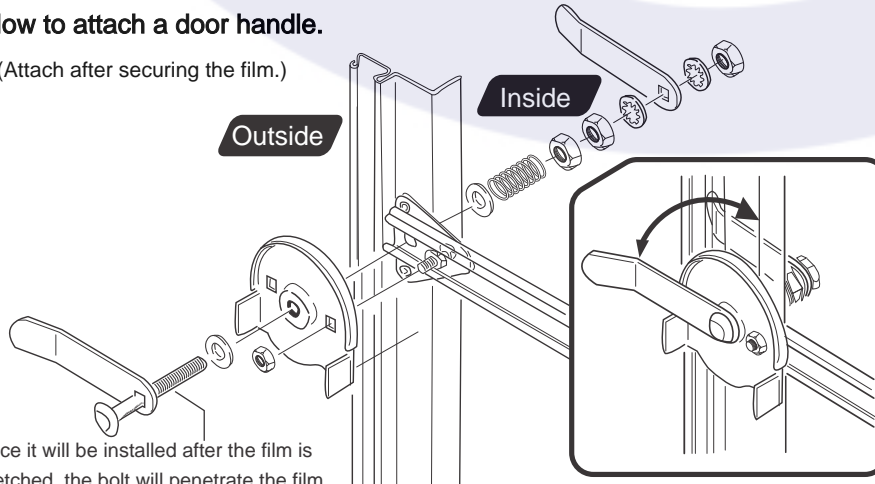
Place the coating spring in the groove of the vinipet EX and stop the film. Please insert the hifuku spring while shaking it lightly from side to side (up and down).

**How to attach a door handle.**

(Attach after securing the film.)

Outside

Inside



Since it will be installed after the film is stretched, the bolt will penetrate the film.

**Cross-sectional view of the door handle (viewed from above)**

Inside

Handle

Pillar

Gable side

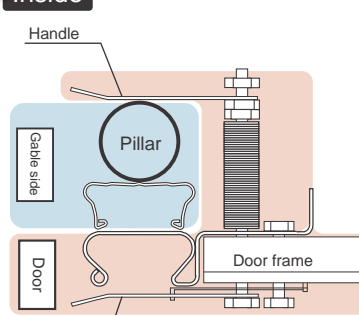
Door

Door frame

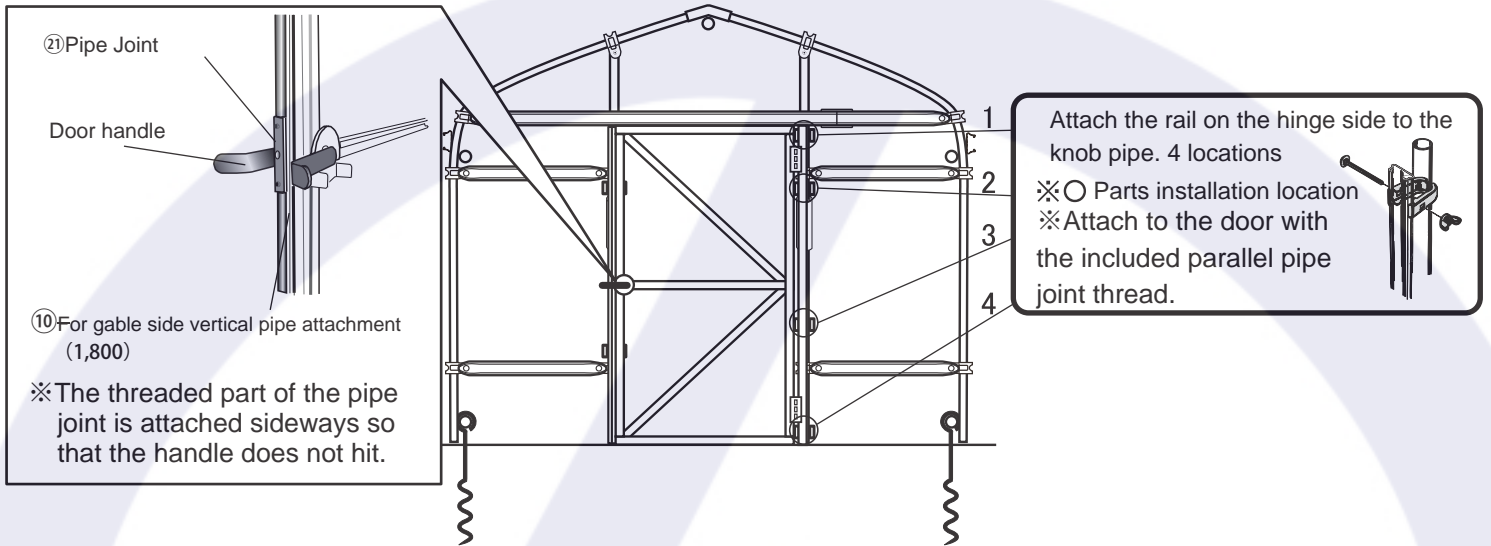
Handle

Outside

When the door is closed, the two handles lock between the door and the pillar.



## 《Door Installation》



## 5 Stretch the film

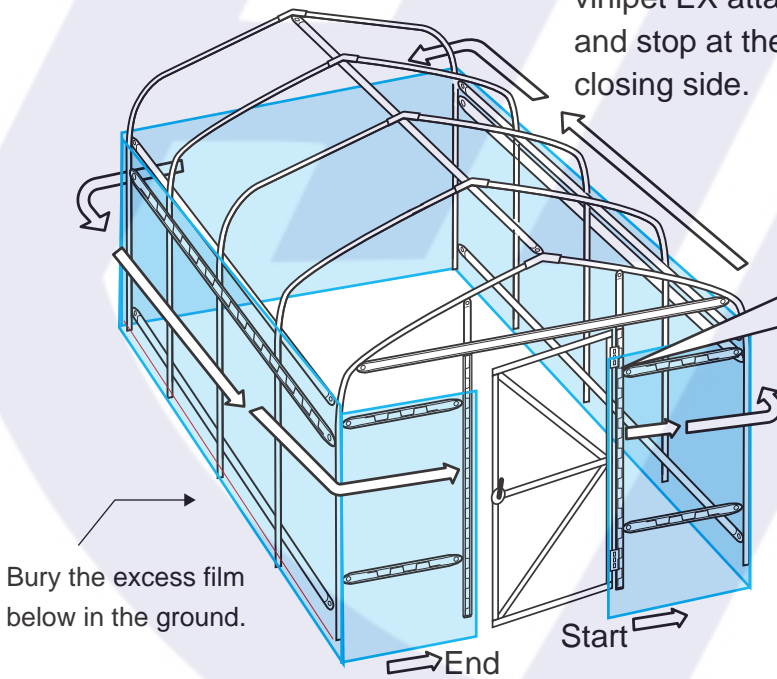
※ There is a front and a back to the film.

Extend the text of the film so that you can read it from the outside of the house.

### 1. Stretch the side film.

※ As with the door, it is installed with a Coating Spring.

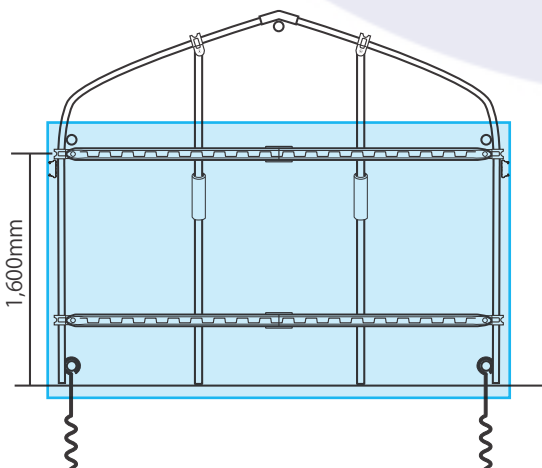
⑳-(2) Bury the 185 × 8m film for the sides and bury the excess film underneath in the ground. End Start with the door hinge side vinipet EX attached to the knob face pipe, go around the house, and stop at the vinipet EX attached to the door opening and closing side.



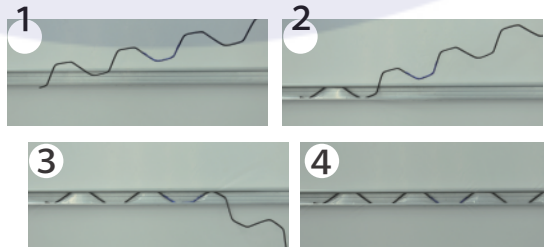
※ Please pay attention to the height of the film when you start stretching. Adjust it so that it reaches the Vinipet EX (1.65m) on the upper side of the doorless surface and does not leave the ground.

Stretch the side film first, and then layer the film on the door that was left uncut on the same vinipet EX. Be sure to keep the door closed.

## 《Gable side without doors》



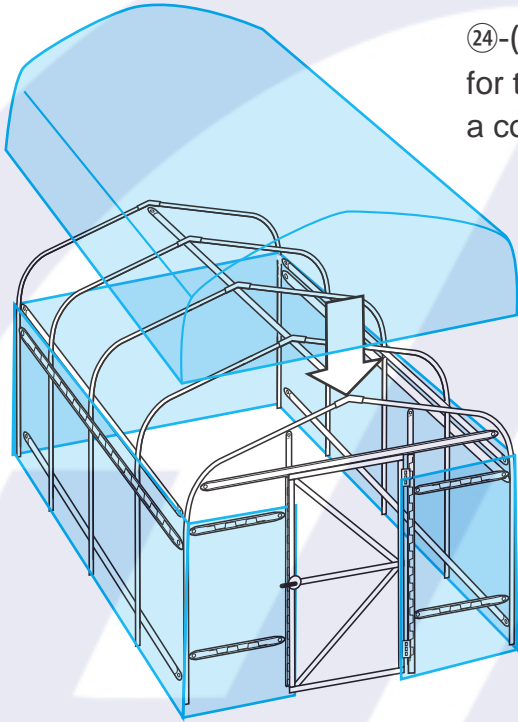
### How to stretch the film (how to install the spring)



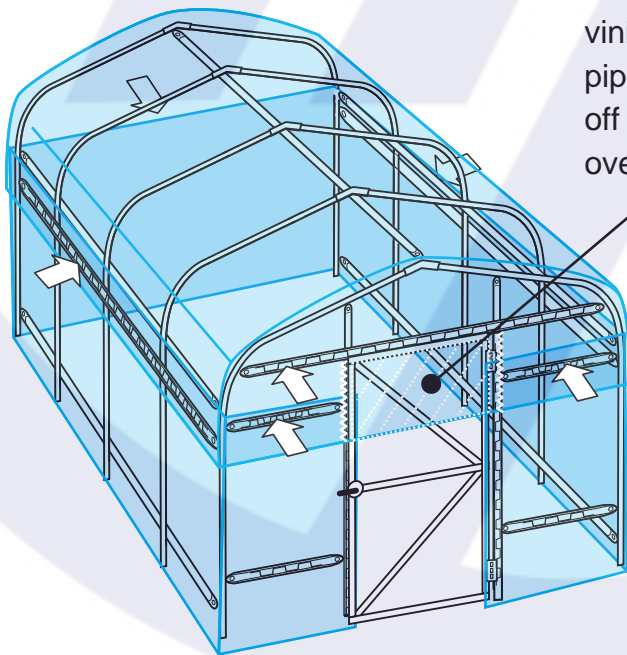
Gently pull the film placed over the Vinipet EX while attaching it with a spring. Please proceed slowly to avoid puncturing the film.

Use the coating spring for the film fastening vinipet EX in the order of the door with gable side → side → no door with gable side → side → door with gable side.

## 2. Stretch the film on the roof.

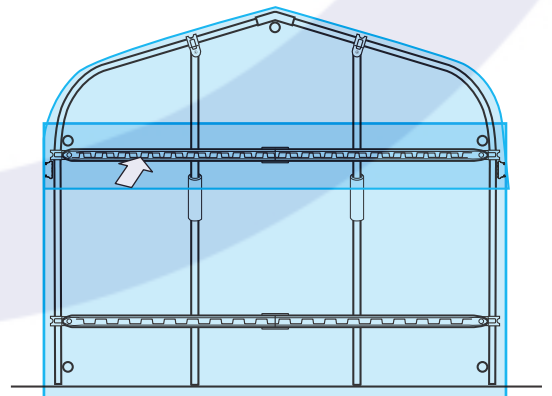


㉔-(1) Align the 270×240 (3-D processed) film for the roof with the roof surface and stop it with a coating spring.



Fasten the roofing film to the vinipet EX attached to the vertical pipe next to the door, and then cut off the roof film at the part that overlaps the door.

《Surfaces without doors》



# 【Complete】

※Film is a consumable item.

Please replace it every 2 years.

If damaged, replace immediately.

If you would like to purchase the film, please contact the home improvement store or gardening store where you purchased the film.

 **HIRO GREENHOUSE**

SYDNEY TOTO GLOBAL PTY LTD.  
Floor 36 Gateway, 1 Macquarie Place, Sydney  
Tel: 61 2 8075 4505  
<https://www.hirogreenhouse.com.au>  
[hirogreenhouse@hotmail.com](mailto:hirogreenhouse@hotmail.com)

# To use the Hiro Garden Light Safely and Correctly!

Before assembling the product, please read carefully and thoroughly understand the manual and use it properly.

※After reading, please store it properly

◆Following precautions record the important content related to safety, be sure to follow.

◆The content is as follows.



Attention

Misoperation of the product will lead to the occurrence of serious personal injury or Attention physical damage.



## Attention

1. Be sure to drive the wedge used in the mounting parts firmly to the root.
2. Tighten the bolts and nuts used in the mounting parts until they are no longer loose.
3. For joint parts such as outer joints and pipe joints, insert the vinippets and pipes all the way in.
4. Wear a protective hat or work gloves when working. There is a risk of injury. Also, when removing the wedge, there is a risk that the wedge will scatter, so make sure that there are no people around before removing it.
5. Be sure to wear protective glasses when stopping the film. There is a risk of injury at the tip of the spring.
6. Do not ride in the house itself. Pipe houses assembled with wire rod products, such as hook bands and terminal hooks, may come off due to their weight.
7. Do not install the product in windy areas, cliffs, or other places that may be dangerous.
8. When typhoons, strong winds, snowfall, etc. are expected, remove the film in advance. The house itself may be blown away or collapse.
9. The spiral pile should be passed through the pipe and filled firmly by trampling the soil so that it does not fall out or loosen.
10. Be sure to use at least two adults for construction.

## About Maintenance (Retention Management)

1. Regularly check for loose spiral piles, bolts, nuts, and wedges. The strength of the house may be reduced or broken.
2. Check if there are any holes in the film. If there is a hole, repair or replace it. If there are holes in the film, the wind will blow in and the house may be blown away.
3. If snow accumulates on the roof, do not enter the house. There is a risk of collapse under the weight of snow. Please remove the snow.

## Disclaimer

We cannot be held responsible for personal or property damage in the following cases: Please be aware of this in advance and handle it with care.

When precautions are not followed.

When there is a defect in installation.

When usage restrictions are not followed.

When due to fire, wind and flood damage, lightning strikes, and other natural disasters.

When assembly is not performed according to the instruction manual.



**HIRO GREENHOUSE**

SYDNEY TOTO GLOCAL PTY LTD.

Floor 36 Gateway, 1 Macquarie Place, Sydney

Tel: 61 2 8075 4505

<https://www.hirogreenhouse.com.au>

[hirogreenhouse@hotmail.com](mailto:hirogreenhouse@hotmail.com)